

GM-SCL Stainless Steel 316 Swivel Cabinet Latch

Features

- Hidden fastener design for clean appearance
- Unique detent knob design allows fixed positioning after each 90° rotation
- Slots incorporated to facilitate minor adjustments following installation
- Minimum 3 mm of door gap is required

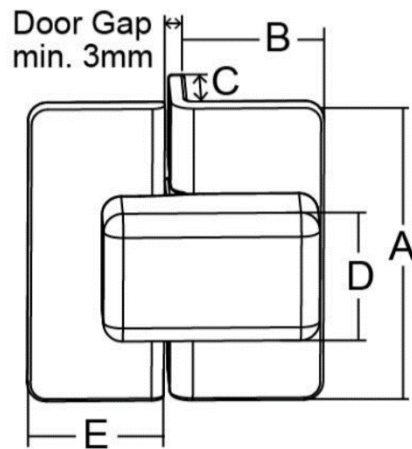


Material

- Stainless steel 316

Recommended Screws

- Latch: Screw size #8 or M4
- Strike: Screw Size #6 or M3



Part No.	A	B	C	D	E
GM-SCL-A511976	48	23.5	18	14.5	23